



➤ TRAWL & SHEAVE BLOCKS MANUALLY OPERATED

YOKE® TRAWL BLOCKS

YOKE® SNATCH BLOCKS

KITO PWB® STURDEE® MANUAL SHEAVES

KITO PWB® STURDEE® SHEAVE BLOCKS

YOKE® TRAWL & SNATCH BLOCKS



TRAWL BLOCKS WITH SWIVEL EYE
SNATCH BLOCK WITH SHACKLE



TRAWL BLOCKS WITH SWIVEL EYE

Applications

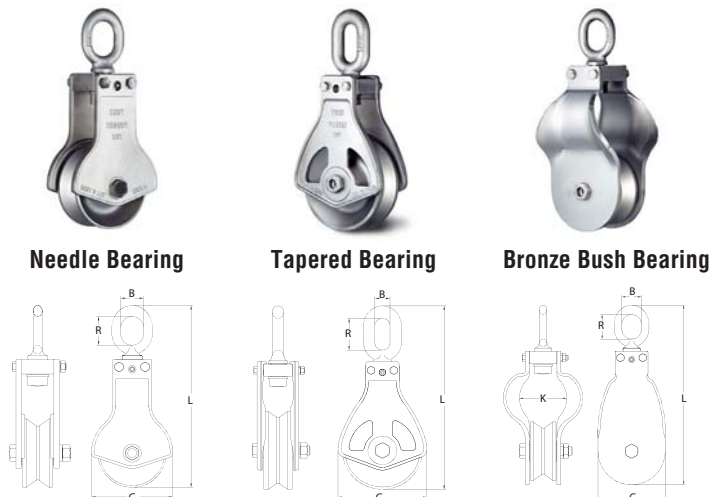
- ✔ Used in marine, agricultural and general industrial.

Features

- ✔ Manufactured with the highest quality steel available.
- ✔ Sealed bearings for increased life span and performance.
- ✔ Corrosive resistant for increased block life in a salt water environment.

Highest quality materials for life performance specially in marine, fishing and general industrial.

Capacity: 2 - 20T



Part No.	Supplier Part No.	WLL (tonnes)	Sheave Diameter (inch)	Rim thickness	B (mm)	R (mm)	G (mm)	L (mm)	N.W (Kg)
Needle bearing									
46732	8-521-05	5	6	2 3/4	50	63	178	398	11.9
Tapered bearing									
46741	8-523-10	10	8	2 7/8	38	82	223	474	19.7
Bronze bush bearing									
46736	8-522-05	5	6	2 3/4	50	63	172	460	14.2

Test certificates available on request

Trawl & Sheave Blocks

SNATCH BLOCKS WITH SHACKLE

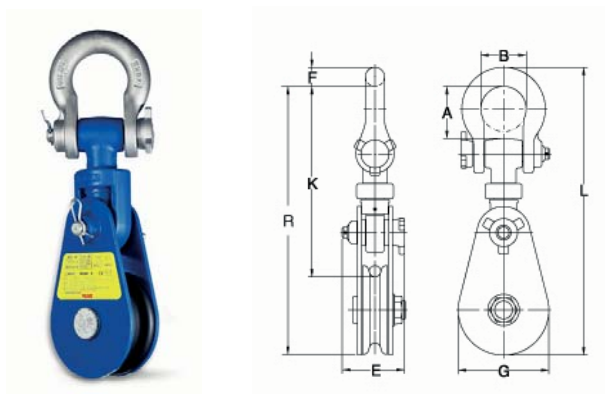
Applications

- ✔ Used for general pulling, block and tackle.

Supplied with test certificates.

Features

- ✔ Manufactured from the highest quality tensile steel.
- ✔ Available in sizes 2 tonne to 20 tonne capacity.
- ✔ Suitable for wire rope sizes 5/16" (8mm) to 1-1/8" (29mm).
- ✔ Sheaves complete with bronze bush and greased fitting for ease of operation.



Part No.	Yoke Part No.	WLL 4:1 (tonnes)	Sheave Dia. (mm)	Wire Rope Size (mm)	Replacement Sheaves	Yoke Part No.	A (mm)	B (mm)	K (mm)	R (mm)	E (mm)	F (mm)	G (mm)	L (mm)	N.W (kg)
40900	8-501-02	2.0	75	8-10	40889*	8-500-02	35	30	150	217	64	11	75	228	2.0
40901	8-501-04	4.0	115	10-13	40890	8-500-04	64	50	243	337	79	19	107	356	5.9
40902	8-501-08	8.0	150	16-19	40891	8-500-08	87	76	320	452	104	32	152	484	13.0
40903	8-501-0808	8.0	200	16-19	40892	8-500-0808	87	76	333	526	104	32	220	558	19.5
40904	8-541-12	12.0	150	19-22	40893	8-500-12	78	80	359	496	134	44	167	540	24.3
40905	8-541-15	15.0	200	19-22	40894	8-500-15	78	80	355	545	134	44	220	589	29.6
40906	8-541-1510	15.0	250	19-22	40895*	8-500-1510	78	80	423	670	134	44	280	714	43.0
40908	8-551-20	20.0	200	25-29	40897	8-500-20	109	93	433	616	150	55	216	671	41.2
40909	8-551-2010	20.0	250	25-29	40898	8-500-2010	109	93	481	723	150	55	280	778	54.0
40910	8-551-2012-25	20.0	300	25-29	40899	8-500-2012	109	93	485	778	150	55	330	833	62.5

* Item available on an indent basis, MOQ's apply.

KITOPWB

Premium Quality Products

For more information:

Call 1300 792 262

Visit www.kitopwb.com.au

Head Office & Manufacturing Plant

441 Grimshaw Street, Bundoora, VIC 3083

Tel: 1300 792 262 Fax: 03 9467 7290

Email: vic-sales@kitopwb.com.au

QLD Office

1/119 Bandarra Street, Richlands, QLD 4077

Tel: 07 3375 1288

Email: qld-sales@kitopwb.com.au

NSW Office

98 Forrester Road, St Marys, NSW 2760

Tel: 02 8886 5200

Email: nsw-sales@kitopwb.com.au

WA Office

2/11 Mallaig Way, Canning Vale, WA 6155

Tel: 08 9256 2499

Email: wasales@kitopwb.com.au

KITO PWB® STRURDEE® MANUAL SHEAVES



Applications

- ✓ For use with manilla, wire rope, sheave blocks
- ✓ Ideal for use with KITO PWB® Sturdee® sheave blocks

Features

- ✓ Fully interchangeable sheaves.
- ✓ 63mm to 200mm sheave diameter available.

Highest quality materials for life performance for use with manilla and wire rope. Sturdee® is a name synonymous with quality sheave blocks and replacement sheaves.

Sheave Diameter: 63 – 200mm



Available in



Red enamel finish
manilla rope

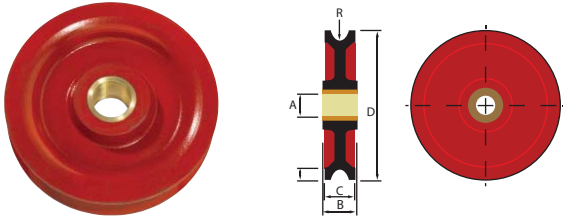


Yellow enamel finish
wire rope

Trawl & Sheave Blocks

MANILA ROPE SHEAVES

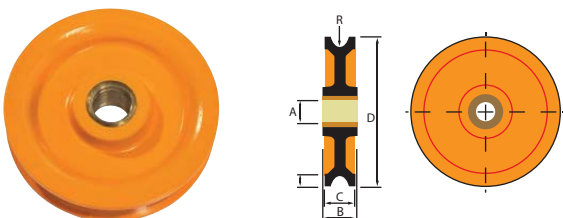
➤ Red Enamel Finish



Sheave Dia. D (mm)	Part No.	A (mm)	B (mm)	C (mm)	E (mm)	Rope dia. R (mm)
63	45588	12.5	20.5	19.5	3.2	10
75	45590	12.5	20.5	19.5	4.8	12
100	45594	19	24.5	23	6.4	16
125	45598	22	29.5	27	7.1	20
150	45600	25	32	30	8	24
200	45604	35	46	44	11	32

WIRE ROPE SHEAVES

➤ Yellow Enamel Finish



Sheave Dia. D (mm)	Part No.	A (mm)	B (mm)	C (mm)	E (mm)	Rope dia. R (mm)
63	45589	12.5	20.5	19.5	4.8	5
75	45591	12.5	20.5	19.5	6.4	6
100	45595	19	24.5	23	8	8
125	45599	22	29.5	27	11	10
150	45601	25	32	30	12.7	12
200	45605	35	46	44	16	16

KITOPWB

Premium Quality Products

For more information:

Call 1300 792 262

Visit www.kitopwb.com.au

Head Office & Manufacturing Plant

441 Grimshaw Street, Bundoora, VIC 3083

Tel: 1300 792 262 Fax: 03 9467 7290

Email: vicsales@kitopwb.com.au

QLD Office

1/119 Bandarra Street, Richlands, QLD 4077

Tel: 07 3375 1288

Email: qldsales@kitopwb.com.au

NSW Office

98 Forrester Road, St Marys, NSW 2760

Tel: 02 8886 5200

Email: nswsales@kitopwb.com.au

WA Office

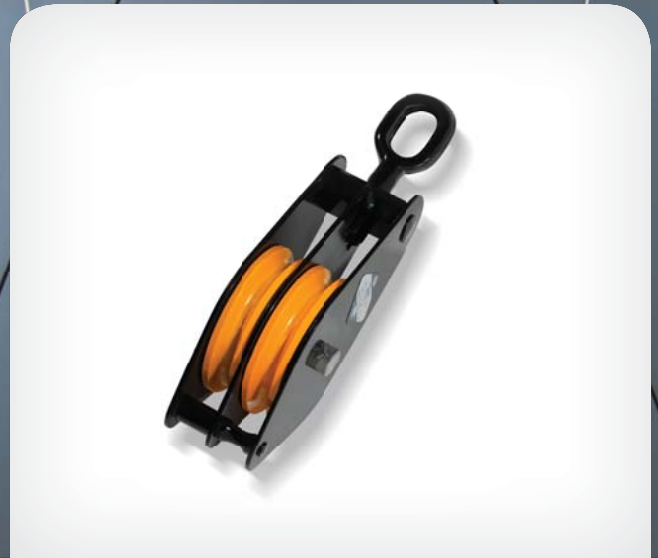
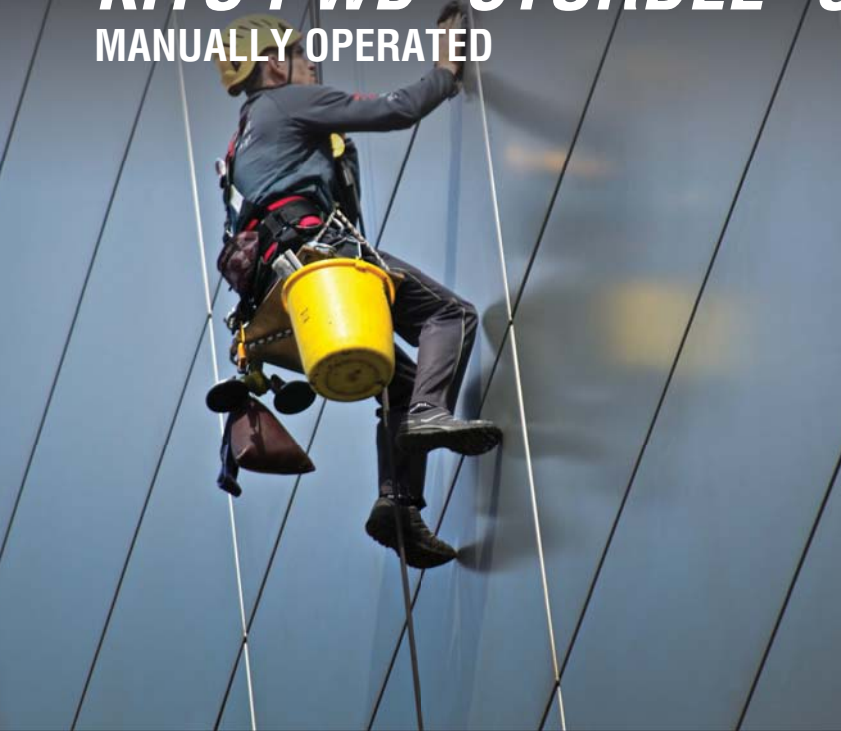
2/11 Mallaig Way, Canning Vale, WA 6155

Tel: 08 9256 2499

Email: wasales@kitopwb.com.au

KITO PWB® STURDEE® SHEAVE BLOCKS

MANUALLY OPERATED



Applications

- ✓ Block and tackle, general pulling and many applications
- ✓ Ideal for lifting, moving, manoeuvring, aligning loads

Features

- ✓ Fully interchangeable sheaves.
- ✓ Supplied with either drop forged swivel hooks or eyes.
- ✓ Bronze bushes and safety latches are also standard across the range.

Australian Standard: AS 2089

> SNATCH BLOCK



Red- Manilla rope

Orange- Wire rope

Highest quality materials for general pulling, block and tackle. Sturdee® is a name synonymous with quality sheave blocks and replacement sheaves.

Capacity: 250kg – 3T

Sheave dia (mm)	63	75	100	125	150	200
Capacity	250kg	250kg	500kg	1t	1t	2t
Manilla Rope dia (mm)	10	12	16	20	24	32
Hook Suspended - Part No.	45622	45639	45672	45706	45723	45757
Eye Suspended - Part No.	45614	45631	45664	45698	45715	45749
Wire Rope dia. (mm)	5	6	8	10	12	16
Hook Suspended - Part No.	45623	45640	45673	45707	45724	45758
Eye Suspended - Part No.	45615	45632	45665	45699	45716	45750

Beckets are standard on all single and double blocks

Trawl & Sheave Blocks

SHEAVE BLOCKS

> Single



Red- Manilla rope

Orange- Wire rope

Sheave dia (mm)	63	75	100	125	150	200
Capacity	250kg	250kg	500kg	1t	1t	2t
Manilla Rope dia (mm)	10	12	16	20	24	32
Hook Suspended - Part No.	45621	45638	45671	45705	45722	45756
Eye Suspended - Part No.	45613	45630	45663	45697	45714	45748
Wire Rope dia. (mm)	5	6	8	10	12	16
Hook Suspended - Part No.	45624	45641	45674	45708	45725	45759
Eye Suspended - Part No.	45616	45633	45666	45700	45717	45751

Beckets are standard on all single and double blocks

> Double



Red- Manilla rope

Orange- Wire rope

Sheave dia (mm)	63	75	100	125	150	200
Capacity	250kg	250kg	750kg	1t	1.5t	3t
Manilla Rope dia (mm)	10	12	16	20	24	32
Hook Suspended - Part No.	45619	45636	45669	45703	45720	-
Eye Suspended - Part No.	45611	45628	45661	45695	45712	45746
Wire Rope dia. (mm)	5	6	8	10	12	16
Hook Suspended - Part No.	45620	45637	45670	45704	45721	45755
Eye Suspended - Part No.	45612	45629	45662	45696	45713	45747

Beckets are standard on all single and double blocks

> Treble



Red- Manilla rope

Orange- Wire rope

Sheave dia (mm)	63	75	100	125	150	200
Capacity	250kg	250kg	750kg	1t	1.5t	3t
Manilla Rope dia (mm)	10	12	16	20	24	32
Hook Suspended - Part No.	45625	45642	45675	45709	45726	-
Eye Suspended - Part No.	-	45634	45667	45701	45718	-
Wire Rope dia. (mm)	5	6	8	10	12	16
Hook Suspended - Part No.	45626	45643	45676	45710	45727	45761
Eye Suspended - Part No.	-	45635	45668	45702	45719	-

Beckets are standard on all single, double and treble blocks

KITOPWB

Premium Quality Products

For more information:

Call 1300 792 262

Visit www.kitopwb.com.au

Head Office & Manufacturing Plant

441 Grimshaw Street, Bundoora, VIC 3083

Tel: 1300 792 262 Fax: 03 9467 7290

Email: vic-sales@kitopwb.com.au

QLD Office

1/119 Bandarra Street, Richlands, QLD 4077

Tel: 07 3375 1288

Email: qld-sales@kitopwb.com.au

NSW Office

98 Forrester Road, St Marys, NSW 2760

Tel: 02 8886 5200

Email: nsw-sales@kitopwb.com.au

WA Office

2/11 Mallaig Way, Canning Vale, WA 6155

Tel: 08 9256 2499

Email: wasales@kitopwb.com.au