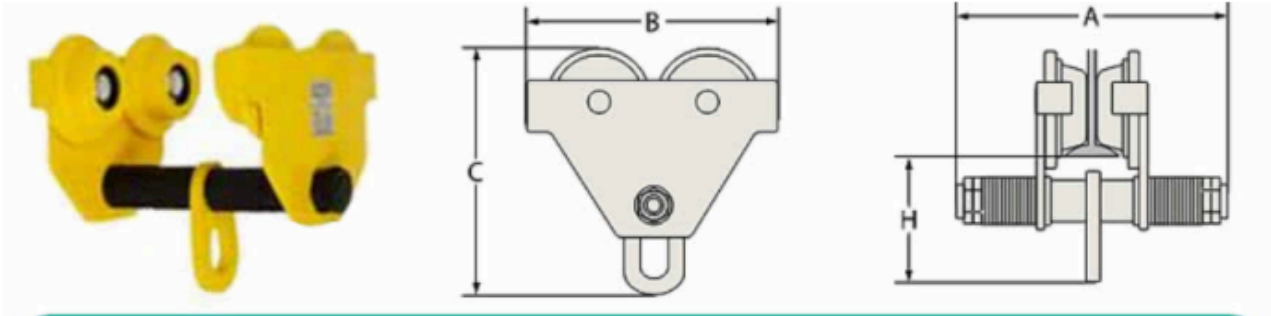




Hobart -
Launceston -

1 Lampton Avenue, Derwent Park
130 Forster Street, Invermay



CODE	WLL	BEAM SIZE	MIN. RADIUS OF CURVE	Wt.	A	B	C	H
	ton	mm	mm	kg	mm			
131005	0.5	64-140	0.8	5.5	228	196	190	108
131010	1	64-203	0.9	8.9	300	236	211	115
131015	2	76-210	1.0	10.7	318	273	236	130
131020	3	100-305	1.2	24.3	420	320	295	164
131025	5	100-305	1.3	36.3	444	366	334	177
131030	10	125-305	2.0	83.3	468	389	460	237