



# Pacific Hoists

## COMEUP DV RECOVERY 4WD WINCHES

The Comeup Recovery winches are equipped with a heavy duty motor which delivers superior torque output for self-recovery or utility duty automotive applications. The Self-Recovery range (DV9i – DV6000S) provides the maximum line pull capacity from 2,722kg to 6,804kg and are all featuring the strongest power for working in off road environments.

The Utility Duty Winch series (DV2500i – DV4500i) are designed to be used as a trailer winch; providing a line pull of up to 2,041kg. They are dexterous, easy to install and the high torque permanent magnet motor delivers high line pull at lower amp draw. Automatic load-holding mechanical failsafe brake ensures strength and reliability.

### Features

#### DV9i – DV6000S

- All sealed high performance motor supplies superior torque output and faster line speed.
- Three stage planetary gearbox delivers the most reliable and durable performance of winch under tough weather conditions.
- Heavy duty sealed contactor ensures sound waterproof protection.
- Turn clutch by ergonomic T-handle for rapid rope payout. The equally positioned pin holes make it easy to rotate by 36° or 40° increments for special in-bumper applications.
- Protective thermal sensor LED.
- Specific design of brake (CBS) outside the drum is ideally suited to heat-sensitive synthetic rope
- Wireless remote control available separately



DV12 light



Remote POA

## DV2500i – DV4500i

- 12 & 24 Volt reversible motor.
- Power in and power out.
- Tough weather resistant housing with integrated solenoid pack.
- Built-in mechanical safety braking device.
- Sliding pin and ring gear clutch for rapid wire rope payout.
- Remote control with 3m cable.
- Compact and lightweight.
- Wireless remote control available separately



## Specifications

### DV6000S – DV15 RANGE

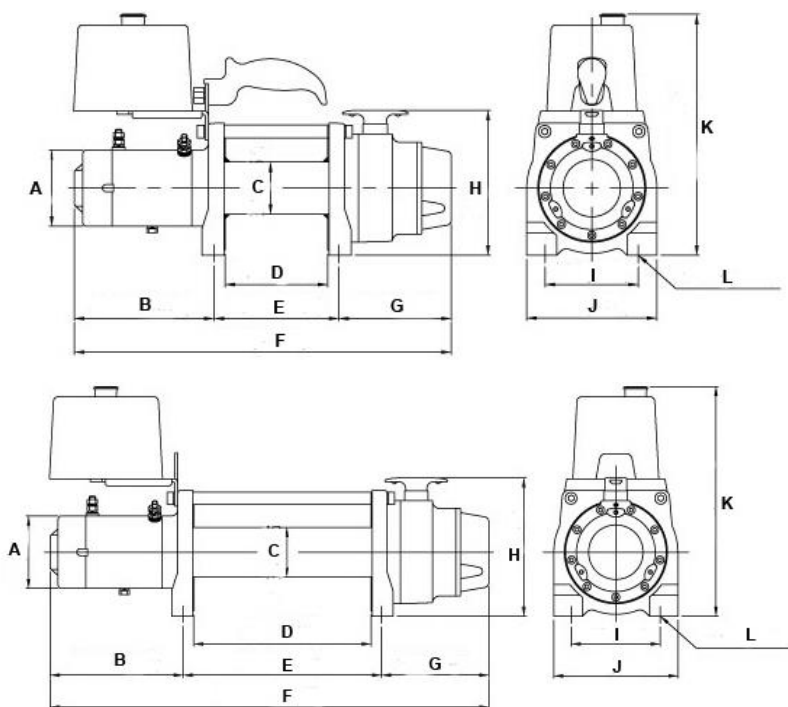
MODEL	DV6000S	DV9I	DV12	DV12 LIGHT	DV15
Stock Code 12 Volt	PDV600	PDV900	PDV920	PDV920L	PDV950
Stock Code 24 Volt	PDV605	PDV905	PDV922	PDV925L	PDV955
Line Pull (kg)	2,722	4,082	5,443	5,443	6,804
Line Speed without Load (m/min)	8.0	13.4	8.3	8.0	6.9
Wire Rope (Ø mmxm)	7.1 x 24.4	8.3 x 30.5	9.5 x 38	9.5 x 25.0	11.1 x 27.0
Wire Rope Type	Galvanised aircraft A7 x 19				6X29-WRC
Drum Size (mmxmm)	63.5 x 125.5	63.5 x 229	89 x 206	63.5 x 229	89 x 206
Net Weight (kg)	17.7	36	40	34	42
Wireless Remote Control (stock code/ remote) (not included - POA)	RRCDC3  3Pin RF-24A	RRCDC6  6Pin RF-24C	RRCDC6  6Pin RF-24C	RRCDC6  6Pin RF-24C	RRCDC6  6Pin RF-24C

## DV2500i – DV4500i RANGE

MODEL	DV2500I	DV3500I	DV4500I
Stock Code 12 Volt	PDV250	PDV350	PDV450
Stock Code 24 Volt	PDV255	PDV355	PDV455
Line Pull (kg)	1,134	1,588	2,041
Line Speed without Load (m/min)	5.0	6.5	6.5
Wire Rope (Ø mmxm)	4.8 x 15.2	5.5 x 15.2	6.3 x 15.2
Wire Rope Type	Galvanised aircraft A7 x 19		
Drum Size (mmxmm)	54 x 83		
Net Weight (kg)	13.5	13.9	14.2
Wireless Remote Control (stock code/ remote) (not included - POA)	RRCDC3  3Pin RF-24A	RRCDC3  3Pin RF-24A	RRCDC3  3Pin RF-24A

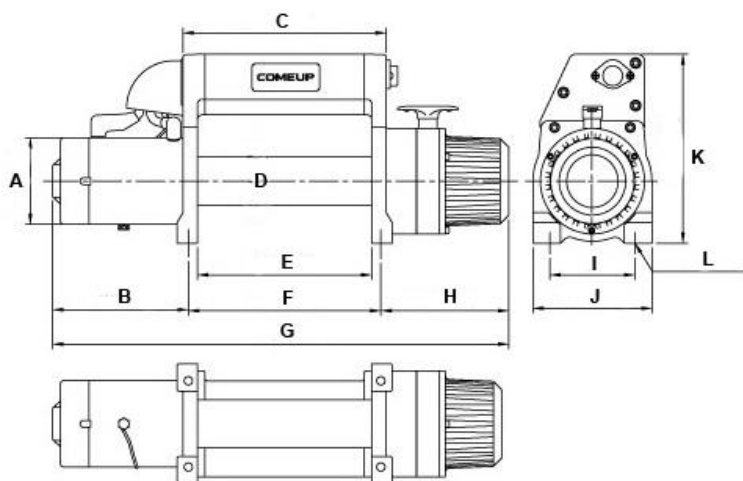
## Dimensions (in mm)

### DV6000S



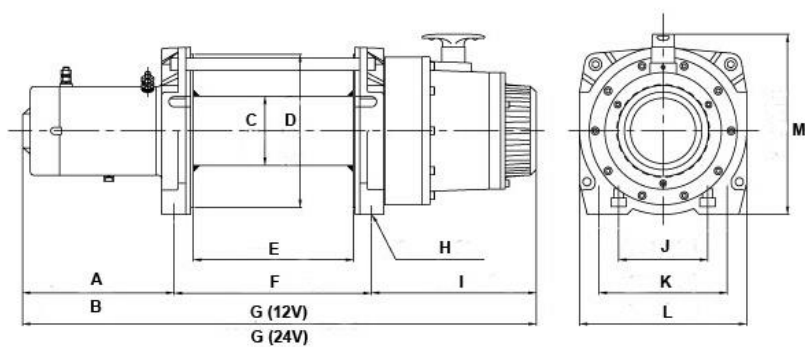
MODEL	DV6000S	DV6000L
A	93	93
B	170.6	170.6
C	63.5	63.5
D	125.5	227
E	152.4	254
F	460	561.9
G	137	137
H	177	177
I	114	114
J	159	159
K	294	294
L	4 - 11	4 - 11

## DV9i



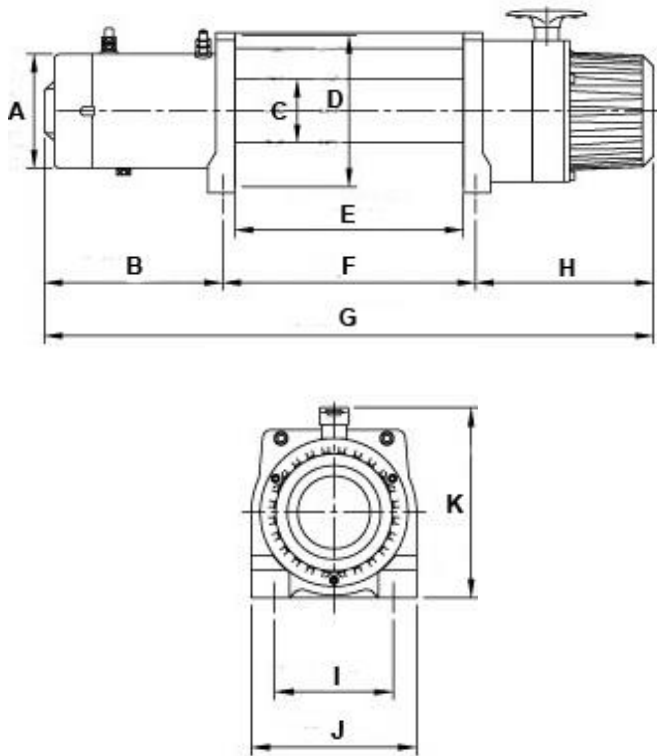
MODEL	DV9I
A	114
B	179
C	268
D	63.5
E	229
F	254
G	602
H	169
I	114
J	159
K	250
L	4 – 11

## DV12 – DV15



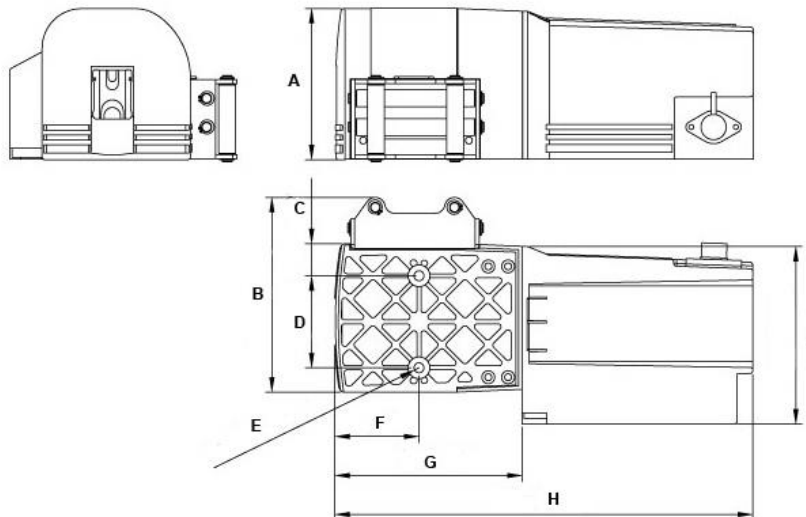
MODEL	DV12	DV15
A	195	195
B	170	170
C	89	89
D	197	197
E	206	206
F	254	254
G (12V)	661	661
G (24V)	636	636
H	8 – 13	8 – 13
I	212	212
J	114	114
K	165	165
L	215	215
M	232	232

## DV12 light



MODEL	DV12 LIGHT 12V	DV12 LIGHT 24V
A	Ø114	Ø114
B	179	154
C	Ø63.5	Ø63.5
D	Ø151.5	Ø151.5
E	229	229
F	254	254
G	612	587
H	179	179
I	114	114
J	159	159
K	182.5	182.5

## DV2500i – DV4500i



MODEL	DV2500I	DV3500I	DV4500I
A	153	153	153
B	197	197	197
C	32	32	32
D	93	93	93
E	2-10	2-10	2-10
F	86	86	86
G	190	190	190
H	423	423	423
I	180	180	180