



Home > Lifting & Handling Equip > Pallet Trucks > Galvanized Pallet Jack / Pallet Truck 685mm wide

GALVANIZED PALLET JACK / PALLET TRUCK 685MM WIDE



Condition: New product

Industrial Quality Equipment used across many industries. Designed and Manufactured to meet the highest demand applications industries have to offer.

Quantity



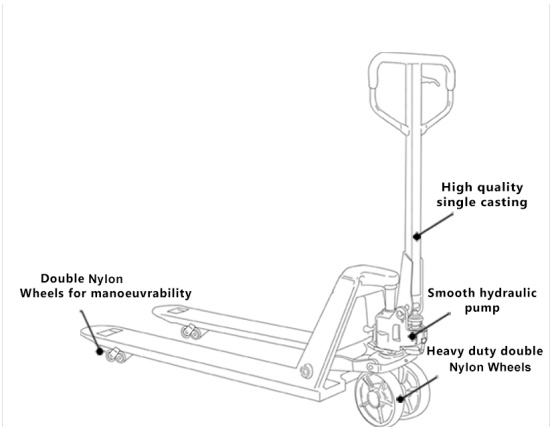
Galvanising process gives durable corrosion protection that stands up to the constant abrasion of pallet entry and exit.

MORE INFO

NOBLELIFT

Imported from the world's largest manufacturer of materials handling equipment, Team Systems' range of pallet trucks are built to perform. With a huge capacity of 2000kg and a list of features below, it is the best choice for your pallet handling.

- ✓ 3-Position control handle, Grease fittings at key points



- ✓ Entry and Exit roller prevent physical exertion of the operator and protect load roller and pallet
- ✓ Full adjustable push rod under forks
- ✓ Totally sealed hydraulic pump with a slow lowering hand control valve



DATA SHEET

Capacity (kg)	2000
Fork height range (mm)	75-190
Steering wheel (mm)	ø180x50
Size of fork (mm)	160x50
Width overall forks (mm)	685
Fork length (mm)	1150



