



[Home](#) >
 [Lifting & Handling Equip](#) >
 [Pallet Trucks](#) >
 Hand Brake Pallet Jack / Pallet Truck - 685mm Wide

HAND BRAKE PALLET JACK / PALLET TRUCK - 685MM WIDE



Condition: New product

Industrial Quality Equipment used across many industries. Designed and Manufactured to meet the highest demand applications industries have to offer.

Quantity

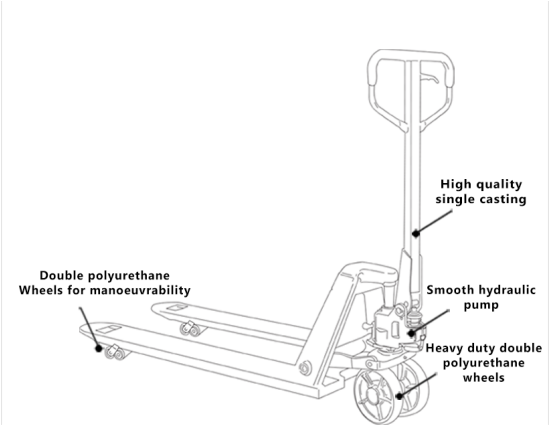
1



MORE INFO

NOBLELIFT

- Imported from the world's largest manufacturer of materials handling equipment, Team Systems' range of pallet trucks are built to perform. With a huge capacity of 2000kg and a list of features below, it is the best choice for your pallet handling.
- 3-Position control handle, Grease fittings at key points
- Entry and Exit roller prevent physical exertion of the operator and protect load roller and pallet
- Full adjustable push rod under forks
- Totally sealed hydraulic pump with a slow lowering hand control valve
- Now OHIS recommended





DATA SHEET

Capacity (kg)	2000
Fork width(mm)	685
Length of fork (mm)	1150
Fork height range (mm)	85-200
Load roller	single nylon polyurethane
Steering wheel	rubber cover iron
N.W. (kg)	82

