



[Home](#) > [Low Boy Pallet Jack / Pallet Truck 540mm Wide](#)

## LOW BOY PALLET JACK / PALLET TRUCK 540MM WIDE



**Condition:** New product

Industrial Quality Equipment used across many industries. Designed and Manufactured to meet the highest demand applications industries have to offer.



Perfect for moving low entry skids with a low height of 51mm. Not suitable for chep pallets

**Quantity**

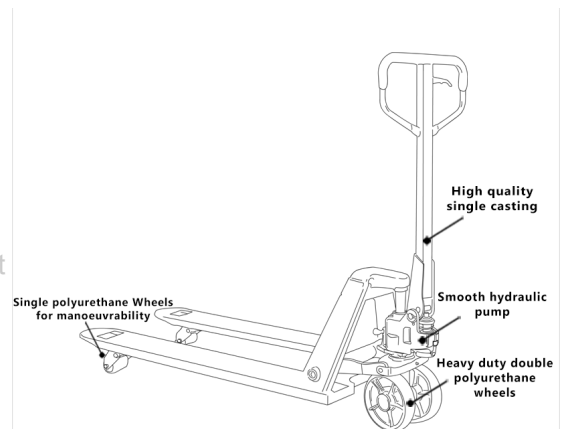
1

### MORE INFO

## NOBLELIFT

Imported from the world's largest manufacturer of materials handling equipment, Team Systems' range of pallet trucks are built to perform. With a huge capacity of 2000kg and a list of features below, it is the best choice for your pallet handling.

- ✓ 3-Position control handle, Grease fittings at key points
- ✓ Entry and Exit roller prevent physical exertion of the operator and protect load roller and pallet



- ✓ Full adjustable push rod under forks
- ✓ Totally sealed hydraulic pump with a slow lowering hand control valve



## DATA SHEET

<b>Capacity (kg)</b>	2000
<b>Fork height range (mm)</b>	51-165
<b>Steering wheel (mm)</b>	ø180x50
<b>Size of fork (mm)</b>	160x37
<b>Width overall forks (mm)</b>	540
<b>Fork length (mm)</b>	1150



