



Home > Pallet Jack with Scales - 685mm wide

### PALLET JACK WITH SCALES - 685MM WIDE



**Condition:** New product

Industrial Quality Equipment used across many industries. Designed and Manufactured to meet the highest demand applications industries have to offer.

**Quantity**



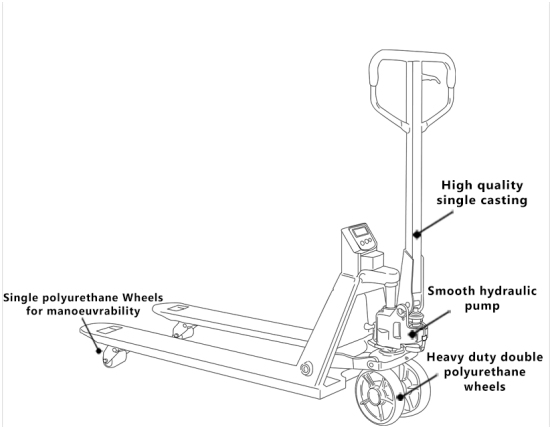
Great alternative for users who need pallet weights for transportation.

### MORE INFO

## NOBLELIFT

Imported from the world's largest manufacturer of materials handling equipment, Team Systems' range of pallet trucks are built to perform. With a huge capacity of 2500kg and a list of features below, it is the best choice for your pallet handling.

- ✓ Entry and Exit roller prevent physical exertion of the operator and protect load roller and pallet



- ✓ Totally sealed hydraulic pump with a slow lowering hand control valve
- ✓ Full adjustable push rod under forks
- ✓ 3-Position control handle, Grease fittings at key points



## DATA SHEET

<b>Capacity (kg)</b>	2500
<b>Fork height range (mm)</b>	88-200
<b>Steering wheel (mm)</b>	ø180x50
<b>Size of fork (mm)</b>	178x60
<b>Width overall forks (mm)</b>	685
<b>Fork length (mm)</b>	1150

