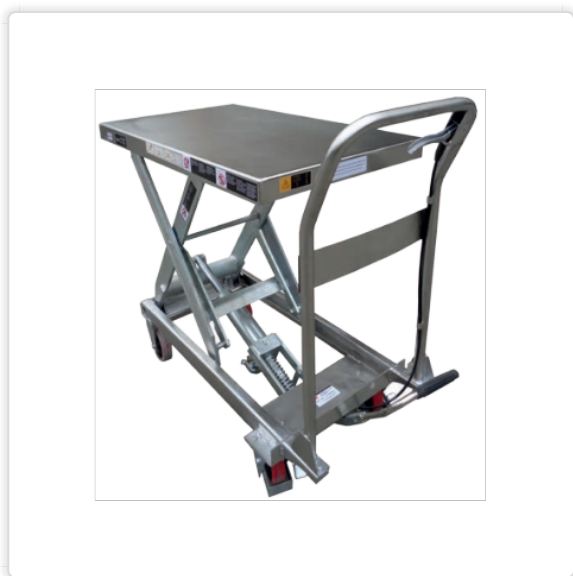




[Home](#) > [Lifting & Handling Equip](#) > [Scissor Lift Tables](#) > [TF50S Stainless Steel Scissorlift Table](#)

TF50S STAINLESS STEEL SCISSORLIFT TABLE



Condition: New product

Eliminate back injuries using our hydraulic scissor lift tables. Versatile and safe way of transporting and handling of goods in offices, warehouses, workshops, Industry bays, hospitals and retail

Quantity

1

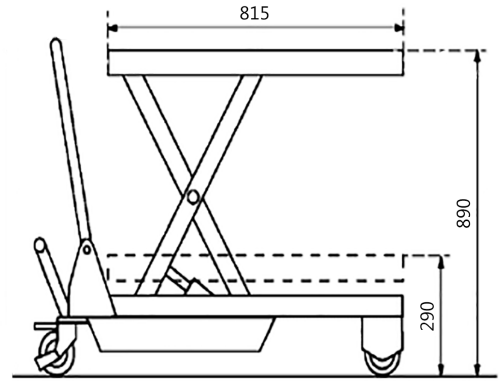


These stainless steel trolleys are great for use in food, pharmaceutical or hygiene areas as they wont rust.

MORE INFO

NOBLELIFT

- ✓ Positive braking system on rear wheels for safety
- ✓ Stainless Steel Construction for excellent corrosion resistance
- ✓ Manual Push
- ✓ Precision hydraulic foot pump
- ✓ Quick release system



DATA SHEET

Model	TF 50S
Capacity (kg)	450
Table height range (mm)	290-890
Dimensions of table (mm)	815 X 500
Castor Wheel (mm)	125 X 40
N.W (kg)	78



PRECISION HYDRAULIC PUMP



LOCKABLE WHEELS



FOOT PUMP

