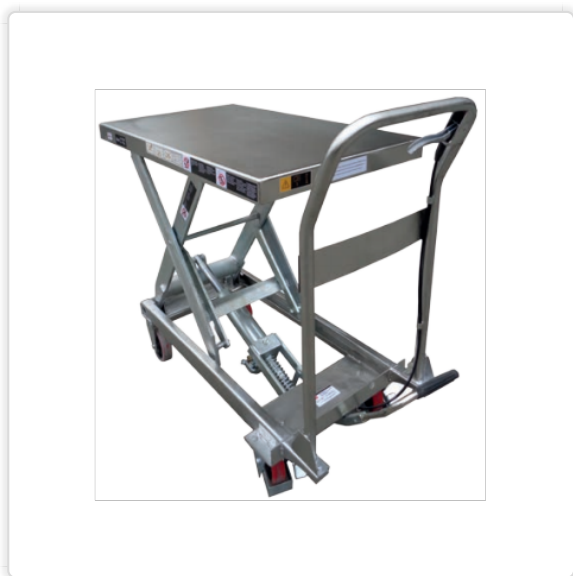




[Home](#) > [Lifting & Handling Equip](#) > [Scissor Lift Tables](#) > [TFD15S Stainless Steel Scissorlift Table](#)

TFD15S STAINLESS STEEL SCISSORLIFT TABLE



Condition: New product

Eliminate back injuries using our hydraulic scissor lift tables. Versatile and safe way of transporting and handling of goods in offices, warehouses, workshops, Industry bays, hospitals and retail

Quantity

1

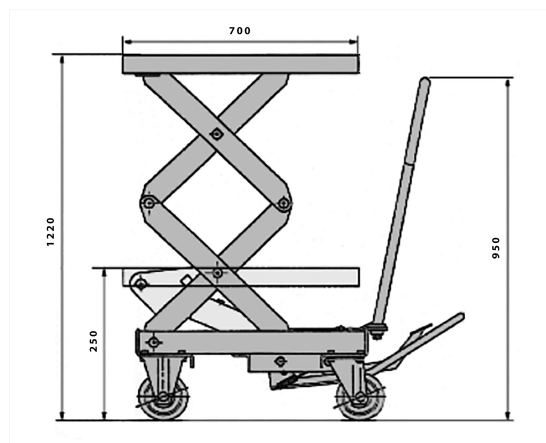


These stainless steel trolleys are great for use in food, pharmaceutical or hygiene areas as they wont rust.

MORE INFO

NOBLELIFT

- ✓ Positive braking system on rear wheels for safety
- ✓ Stainless Steel Construction for excellent corrosion resistance
- ✓ Manual Push
- ✓ Precision hydraulic foot pump
- ✓ Quick release system



DATA SHEET

Model	TFD 15S
Capacity (kg)	100
Table height range (mm)	250-1220
Dimensions of table (mm)	700 X 445
Castor Wheel (mm)	125 X 40
N.W (kg)	55
Handle Height from ground (mm)	950



PRECISION HYDRAULIC PUMP



LOCKABLE WHEELS



FOOT PUMP