



Home > **Lifting & Handling Equip** > **Scissor Lift Tables** > TFD35S Stainless Steel Scissorlift Table

TFD35S STAINLESS STEEL SCISSORLIFT TABLE



Condition: New product

Eliminate back injuries using our hydraulic scissor lift tables. Versatile and safe way of transporting and handling of goods in offices, warehouses, workshops, Industry bays, hospitals and retail

Quantity

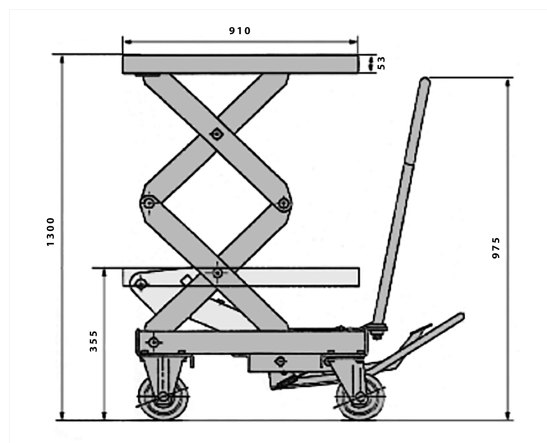


These stainless steel trolleys are great for use in food, pharmaceutical or hygiene areas as they wont rust.

MORE INFO

NOBLELIFT

- ✓ Positive braking system on rear wheels for safety
- ✓ Stainless Steel Construction for excellent corrosion resistance
- ✓ Manual Push
- ✓ Precision hydraulic foot pump
- ✓ Quick release system



DATA SHEET

Model	TFD 35S
Capacity (kg)	350
Table height range (mm)	355-1300
Dimensions of table (mm)	910 X 500 X 53
Castor Wheel (mm)	125 X 40
N.W (kg)	136
Height of handle from ground (mm)	975



PRECISION HYDRAULIC PUMP



LOCKABLE WHEELS



FOOT PUMP