



Home > TG50 - 500kg Scissor Lift

TG50 - 500KG SCISSOR LIFT



Condition: New product

Industrial Quality Equipment used across many industries. Designed and Manufactured to meet the highest demand applications industries have to offer

Quantity

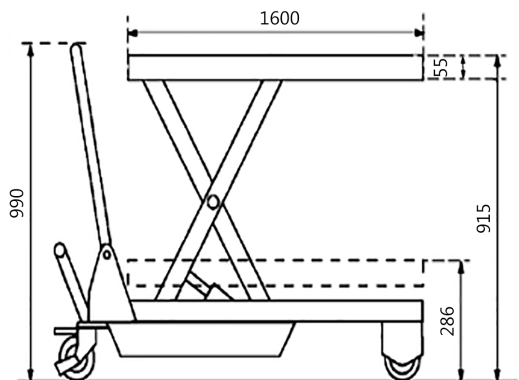


Huge Deck Size and Foot Pump.

MORE INFO

NOBLELIFT

- ✓ Positive braking system on rear wheels for safety
- ✓ Huge deck size, 1600 x 810 deck
- ✓ 500kg
- ✓ Manual Push
- ✓ Precision hydraulic foot pump



✓ Quick release system

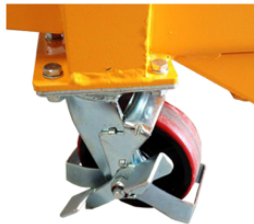


DATA SHEET

Model	TG 50
Capacity (kg)	500
Table height range (mm)	286-915
Dimensions of table (mm)	1600 X 810 X 55
Castor Wheel (mm)	127
N.W (kg)	154
Handle Height from ground (mm)	990



PRECISION HYDRAULIC PUMP



LOCKABLE WHEELS



FOOT PUMP